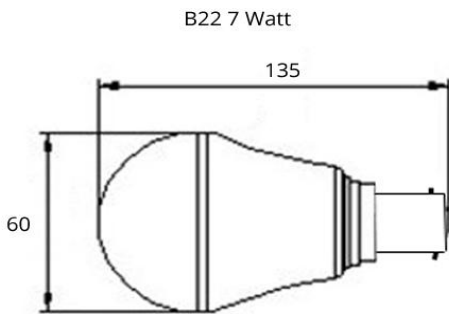


Product Specifications

7 Watt B22 LED Bulbs

SKU: L-B22-B-7W-CW-120-AN (Cool White)
L-B22-B-7W-WW-120-AN (Warm White)



Light Output (Lumens)	630
Power Consumption (watts)	7
Supply voltage (AC)	180-245
Base Type	B22
Size (mm) Diameter,Height	60,135
Certification	CE, RoHS
IP Grade	IP20 (indoor use)
Colour rendering Index (CRI)	Ra≥75
Colour Temp (°K) - Cool White	6000 to 6500
Colour Temp (°K) - Warm White	2700 to 3500
Beam Angle (°) Warm White	120
Beam Angle (°) Cool White	120
Body Material	Aluminium+PC
Dimmable	No

DIMMABLE LED LIGHTS -

You can dim LED lights but only if they are specifically identified as 'dimmable' and you are using a dimmer switch designed to work with LED's. You can not use a resistive load style dimmer that is used for tungsten filament bulbs without running the risk of causing your LED light to suffer premature failure. Even running this type of dimmer at the 'full on' position won't work.

All efforts have been made to ensure the accuracy of the information we provide.

Specifications can and do change. If you are unsure or need clarification/confirmation of any specification information please get in touch with our Customer Support Team who will assist you.

Product and application images are provided to give an example view of the item or its use. The product images may not be exactly the same as the product you receive. Please read carefully the product description & specifications to verify your purchase.

If you believe there is an error in the information please contact us by email advising us of the error so they we can endeavour to clarify and correct it.